

## Three-phase On-grid String Inverter

SPI3K~6K-B Series



### Product Features

#### Efficient and flexible

- 2 independent MPPT, more generation
- Advanced control algorithms and high adaptation ability to the grid, improving the stability of power generation system

#### Safe and reliable

- IP65 for outdoor application
- Integrated DC&AC SPD
- Aluminum alloy die-casting integrated chassis, ensure 25 years full life circle running
- Integrated arc fault circuit interrupter

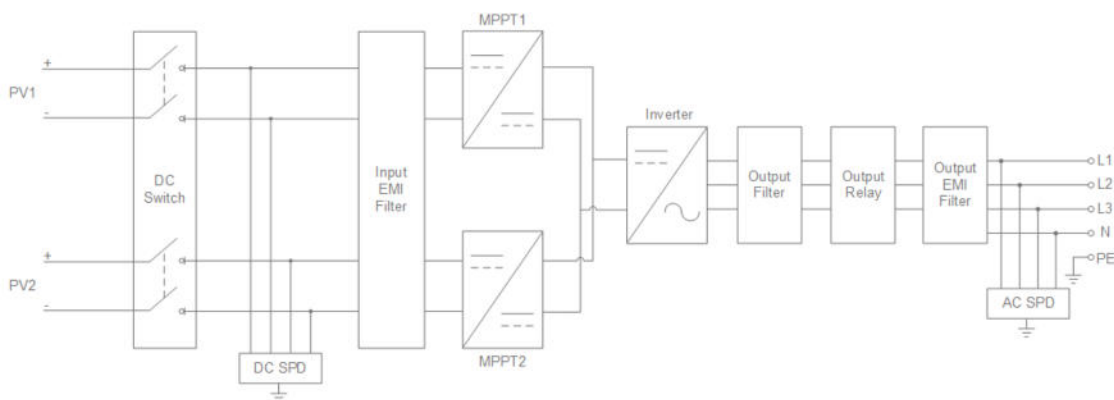
#### Intelligent management

- Support RS485, Wifi, GPRS and other communication methods
- Remote online upgrade, convenient and efficient

#### Grid friendly

- Grid-connected current harmonics <3%, green adapts to grid
- Ultra wide grid voltage range

### Function Diagram



# Technical Specification

Items	SPI3K-B	SPI4K-B	SPI5K-B	SPI6K-B
<b>DC Input (PV)</b>				
Max. PV input voltage	1000Vdc			
Rated input voltage	600Vdc			
Max. PV input current	13A/13A			
No. of MPPTs	2			
No. of PV strings per MPPT	1/1			
MPPT voltage range	200~950Vdc			
Starting voltage	200Vdc			
DC switch	Yes			
<b>AC Output (On-grid)</b>				
Rated AC output power	3kW	4kW	5kW	6kW
Max. output power	3.3kVA	4.4kVA	5.5kVA	6.6kVA
Rated AC output voltage	380/400/415Vac			
Rated output current	4.3A	5.8A	7.3A	8.7A
Max. output current	4.7A	6.4A	8.0A	9.6A
Rated grid frequency	50Hz/60Hz			
Grid frequency range	45~55Hz/55~65Hz			
Power factor	>0.99 (rated power)			
Adjustable power factor	0.8 (leading)~0.8 (lagging)			
THDi	<3% (rated power)			
<b>Efficiency</b>				
Max. efficiency	98.50%			
European efficiency	98.00%			
MPPT efficiency	99.90%			
<b>Function and protection</b>				
Anti-islanding	Yes			
DC (PV) reversed connection	Yes			
AC short circuit protection	Yes			
Temperature protection	Yes			
Surge protection	DC Type II & AC Type II			
AFCI function	Yes (optional)			
Zero-export function	Yes (optional)			
<b>Certification</b>				
Dimensions (W×H×D)	480×420×180mm			
Weight	18.5kg			
IP grade	IP65			
Self-consumption at night	<1W			
Cooling type	Natural cooling			
Altitude	4000m (>3000m derating)			
Operating temperature	-25°C~+60°C			
Relative humidity	0~100%			
Display	LCD+LED			
DC terminal	MC4 Terminal			
AC terminal	OT Terminal			
Installation method	Wall-mounted			
Communication	RS485, DRM (optional), WiFi(optional)/GPRS (optional)			
Standard	IEC/EN62109-1, IEC/EN62109-2, EN61000, IEC60068, IEC61683, IEC62116, IEC61727, CEI0-21, EN50549-1, AS/NZS4777.2			

- Specifications are subject to change without prior notice.

## Kehua Digital Energy

Add: No. 457, Malong Road, Torch High-Tech Industrial Zone, Xiamen Fujian China

Tel: +86-592-5160516 Fax: +86-592-5162166 www.kehua.com

