

Three-phase On-grid String Inverter

SPI30K~36K-B X2 Series



Product Features

Efficient and flexible

- 3 independent MPPT, max. conversion efficiency 98.6%
- Compatible with large current PV modules

Safe and reliable

- IP66 for outdoor application
- AFCI protection, proactively eliminate security risk
- Integrated AC/DC full lightning protection

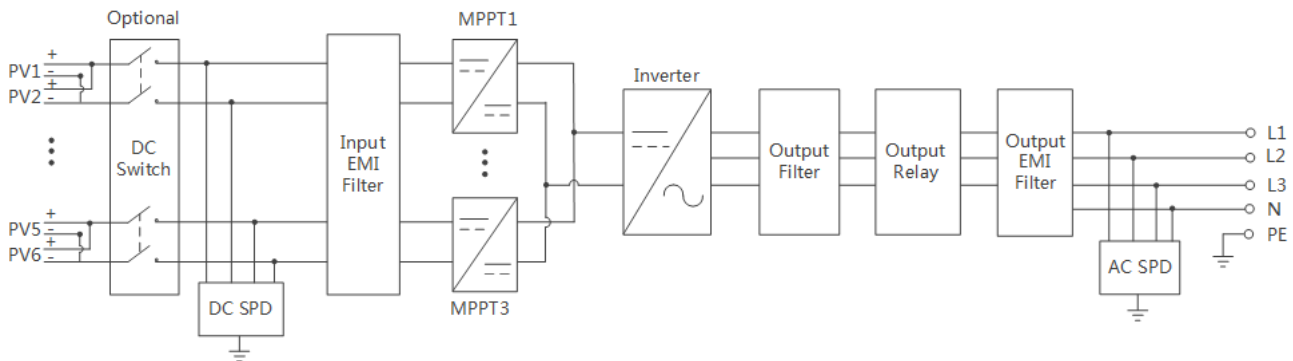
Intelligent management

- I&V Intelligent diagnosis
- Intelligent cloud platform monitoring, realize real-time monitoring
- Support RS485, 4G, Wifi, Bluetooth and other communication methods
- Remote online upgrade, convenient and efficient

Grid friendly

- Grid-connected current harmonics <3%, green adapts to grid
- Ultra wide grid voltage range

Function Diagram



Technical Specification

Items	SPI30K-B X2	SPI33K-B X2	SPI36K-B X2	SPI40K-B X2
DC Input				
Max. PV input voltage	1100Vdc			
Rated input voltage	600Vdc			
Max. PV input current	30A/30A/30A			
No. of MPPTs	3			
No. of PV strings per MPPT	2/2/2			
MPPT voltage range	180~1100Vdc			
Starting voltage	150Vdc			
DC switch	Yes			
AC Output (On-grid)				
Rated AC output power	30kW	33kW	36kW	40kW
Max. output power	33kVA	36.3kVA	39.6kVA	40kVA
Rated AC output voltage	380/400/415Vac			
Rated output current	43.2A	47.6A	52.0A	57.7A
Max. output current	47.6A	52.4A	57.2A	57.7A
Rated grid frequency	50Hz/60Hz			
Grid frequency range	45~55Hz/55~65Hz			
Power factor	>0.99 (rated power)			
Adjustable power factor	0.8 (leading)~0.8 (lagging)			
THDi	<3% (rated power)			
Efficiency				
Max. efficiency	98.60%			
European efficiency	98.10%			
MPPT efficiency	99.90%			
Function and protection				
Anti-islanding	Yes			
DC (PV) reversed connection	Yes			
AC short circuit protection	Yes			
Temperature protection	Yes			
Surge protection	DC Type II & AC Type II			
AFCI function	Yes (optional)			
Integrated PID function	Yes (optional)			
IV curve scan and diagnosis	Yes (optional)			
Zero-export function	Yes (optional)			
ESS function	Yes (optional)			
General				
Dimensions (W×H×D)	550×480×200mm			
Weight	27kg			
IP grade	IP66			
Self-consumption at night	<1W			
Cooling type	Intelligent forced air cooling			
Altitude	4000m (>3000m derating)			
Operating temperature	-35°C~60°C			
Relative humidity	0~100%			
Display	LED+APP			
DC terminal	MC4 Terminal			
AC terminal	OT Terminal			
Installation method	Wall-mounted			
Communication	RS485, DRM (optional), WiFi (optional)/4G (optional), Bluetooth (optional)			
Certification	IEC/EN62109-1, IEC/EN62109-2, EN61000, IEC62116, IEC61727, EN50549-1			

- Specifications are subject to change without prior notice.

Kehua Digital Energy

Add: No. 457, Malong Road, Torch High-Tech Industrial Zone, Xiamen Fujian China

Tel: +86-592-5160516 Fax: +86-592-5162166 www.kehua.com

